

30th July 2020

## Liquip Emergency Hatches - Metric Conversion Bulletin

Dear Valued Customers,

This bulletin is to inform you of changes that coincide with the release of Liquip's new VOH450 series hatch, which is now fully-metric.

VOH450 series hatches are equipped with a metric emergency vent assembly (VOH500-32AM) and metric mounting provisions for conveniently mounting ancillary components such as overfill probes, vapour vents, dip & fill tube and level gauge sensors.

For ease of servicing, Liquip has designed the metric emergency hatch assembly (VOH500-32AM) in a way to allow easy retrofitting to any of Liquip's current hatch assemblies, including the VOH410, VOH500 and VOH750 series of hatches.

This retrofit is accomplished by using common mounting pins on the bridge and handle, while the internal threads and fasteners of the VOH500-32AM are now metric.

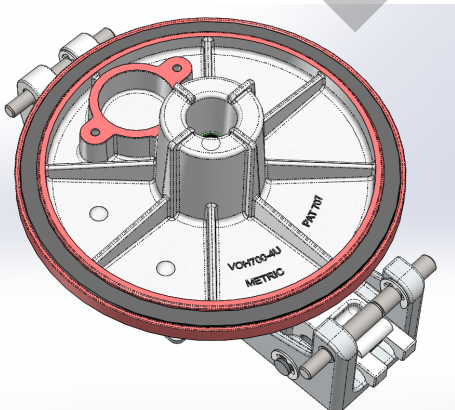
The imperial VOH500-32A assembly will be used in VOH410, VOH500 and VOH750 hatches until approximately the end of 2020 at which point these hatches will be supplied with the VOH500-32AM.

As part of this transition bridges (VOH400-2U) and emergency vent covers (VOH700-4U) will no longer be supplied as loose spare parts. If replacement of these parts is required the whole emergency vent assembly should be replaced to ensure the integrity of the hatch is maintained.

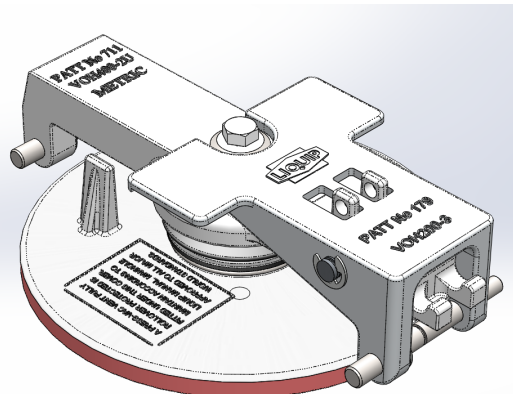
To allow easy identification of the new metric emergency vent assemblies in the field, the word 'METRIC' is cast into the bridge and emergency vent cover on the VOH500-32AM, while the imperial VOH500-32A remains as is. The below images illustrate where these markings can be found as well as the differences between both models.

Please reference the table overleaf to select spare parts for maintenance.

If you have any questions please don't hesitate to contact your local Liquip Representative.



The VOH500-32AM can be identified by the word "METRIC" cast into the emergency vent cover.



The VOH500-32AM can also be identified by the word "METRIC" cast into the bridge.



30th July 2020

## Liquip Emergency Hatches - Metric Conversion Bulletin

The below table has been provided to assist in the selection of spare parts for maintenance.

No.	VOH500-32A		VOH500-32AM		Comments
1	VOH700-4U	EMERGENCY VENT COVER 9" - Imperial model	VOH700-4U	EMERGENCY VENT COVER - Metric model	Spares not available please replace VOH500-32AM
2	0236	SEAL 9" HATCH LID	0236	SEAL 9" HATCH LID	Spares available
	0237	SEAL 9" HATCH LID	0237	SEAL 9" HATCH LID	Spares available
3	6108	SPRING COMPRESSION	6108	SPRING COMPRESSION	Spares available
	4464	SPRING COMPRESSION	4464	SPRING COMPRESSION	Spares available
4	7141	BELLOWS TO SUIT MANHOLES	7141	BELLOWS TO SUIT MANHOLES	Spares available
5	VOH200-21	HANDLE PIN FOR GRAVITY LATCH	VOH200-21	HANDLE PIN FOR GRAVITY LATCH	Spares available
6	VOH200U-9	BRIDGE PIN	VOH200U-9	BRIDGE PIN	Spares available
7	0235	O-RING IMPERIAL	5386	O-RING METRIC	Spares available
	0235VG	O-RING IMPERIAL	5386VG	O-RING METRIC	Spares available
8	7143	COVER for BOLT O-RING ON MANHOLE	7143	COVER for BOLT O-RING ON MANHOLE	Spares available
9	0886	WASHER FIBRE IMPERIAL	5387	WASHER FIBRE METRIC	Spares available
10	7477	WASHER FLAT IMPERIAL	55107	WASHER FLAT METRIC	Spares available
11	0096	E-CLIP IMPERIAL	0096	E-CLIP IMPERIAL	Spares available
12	4863	BOLT IMPERIAL	5388	BOLT METRIC	Spares available
13	0152	NUT NYLOC IMPERIAL	6001	NUT NYLOC METRIC	Spares available
14	VOH400-2U	BRIDGE - MANHOLE EMERGENCY VENT - Imperial model	VOH400-2U	BRIDGE - MANHOLE EMERGENCY VENT - Metric model	Spares not available please replace VOH500-32AM
15	VOH200-3	HANDLE FOR VOH MANHOLES	VOH200-3	HANDLE FOR VOH MANHOLES	Spares available
16	VOH200-10	CAM PIN FOR VOH200	VOH200-10	CAM PIN FOR VOH200	Spares available
17	6140	SPRING CLIP FOR BELLOWS	6140	SPRING CLIP FOR BELLOWS	Spares available
18	6579	HAMMER DRIVE SCREW	6579	HAMMER DRIVE SCREW	Spares available
19	7321	LABEL f. EMERGENCY VENT	7321	LABEL f. EMERGENCY VENT	Spares available
	7324	LABEL f. EMERGENCY VENT	7324	LABEL f. EMERGENCY VENT	Spares available
	7322	LABEL f. EMERGENCY VENT	7322	LABEL f. EMERGENCY VENT	Spares available