



THIS IS CONFIDENTIAL INFORMATION.
THIS DRAWING AND DESIGN IS THE PROPERTY OF LIQUIP INTERNATIONAL PTY LIMITED.
IT MUST NOT BE COPIED OR REPRODUCED IN ANY WAY WHATSOEVER AND/OR PASSED ON
TO ANY THIRD PARTY WITHOUT WRITTEN AUTHORITY.

LIQUIP INTERNATIONAL PTY LIMITED - ENGINEERING DEPARTMENT - 13 HUME RD SMITHFIELD SYDNEY NSW AUSTRALIA 2164
PH: +61 2 9725 9000 FAX: +61 2 9609 4739 EMAIL: engineering@liquip-nsw.com.au

Liquip - Outlet Valve Adaptor Aluminium

DATA SHEET

PART N°: SLV5-110/SLV5-114

TITLE:	Aluminium Adaptor for SLV5 series outlet valves.	
PURPOSE:	To provide a low cost, lightweight flanged connection where aluminium tube is used for discharge pipe on road tankers.	
OPERATION:	Non operational.	
PERIODIC SERVICE:	No service required	
VARIANTS:	SLV5-110 (For Ø100mm Aluminum tube) SLV5-114 (For Ø 4" Aluminum tube)	
MATERIALS ;	Aluminium	
WEIGHT:	0.5 kg	
MOUNTING:	4 hole special Flange M10 bolts and neocork gasket only. Tighten to 15-17 Nm.	
TECHNICAL DATA:	100mm bore all through for minimum pressure drop.	
ASSOCIATED EQUIPMENT:	SLV5-ARO SLV5M SLV5CO 0200 6086 7514	OUTLET VALVE AIR OPERATED (SEQUENTIAL) OUTLET VALVE MANUAL OPERATED OUTLET VALVE CABLE OPERATED NEOCORK GASKET PTFE GASKET KLINGERITE GASKET

Overall dimensions shown on the drawing overleaf

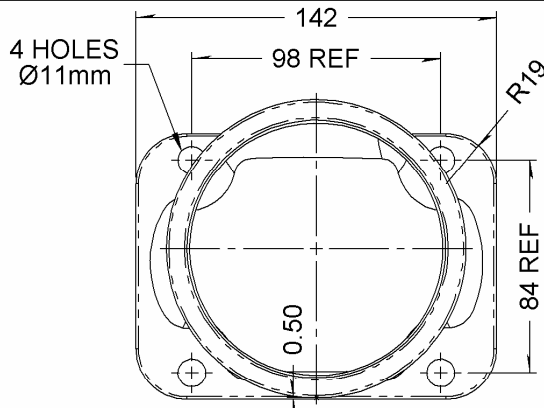


THIS IS CONFIDENTIAL INFORMATION.
 THIS DRAWING AND DESIGN IS THE PROPERTY OF LIQUIP INTERNATIONAL PTY LIMITED.
 IT MUST NOT BE COPIED OR REPRODUCED IN ANY WAY WHATSOEVER AND/OR PASSED ON
 TO ANY THIRD PARTY WITHOUT WRITTEN AUTHORITY.

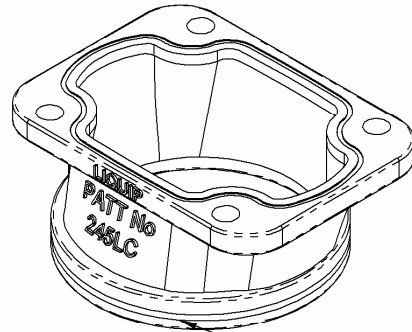
LIQUIP INTERNATIONAL PTY LIMITED - ENGINEERING DEPARTMENT - 13 HUME RD SMITHFIELD SYDNEY NSW AUSTRALIA 2164
 PH: +61 2 9725 9000 FAX: +61 2 9609 4739 EMAIL: engineering@liquip-nsw.com.au

LIQUIP

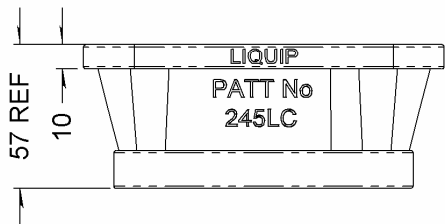
SLV5-110 & SLV5-114 ADAPTORS



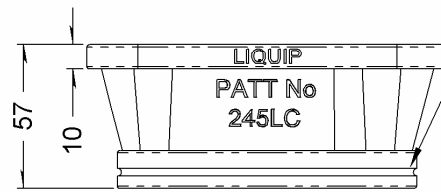
MOUNTING FLANGE DETAILS
 TYPICAL FOR BOTH ADAPTORS



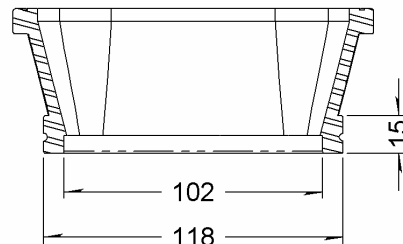
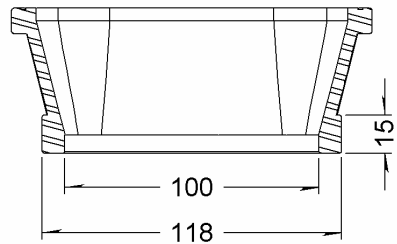
IDENTIFYING GROOVE ON THE SLV5-114
 MEANS TO DIFFERENTIATE FROM OTHERS



SLV5-110
 TO SUIT Ø100mm ALUMINIUM TUBE



SLV5-114
 TO SUIT Ø4" ALUMINIUM TUBE



NOTES:

- 1- MATERIAL IS CAST ALUMINIUM AA601
- 2- ADAPTORS ARE IDENTICAL EXCEPT FOR THE OPENING WHICH IS TO SUIT EITHER Ø100mm OR 4" (Ø101.6mm) TUBE

X1101207

Issue: B

METERS - VALVES - VENTS - MANHOLES - PUMPS - HOSEREELS - OVERFILL PROTECTION - LOADING ARMS - ELECTRONIC DIPSTICKS



LIQUIP INTERNATIONAL PTY LTD
 13 Hume Road
 Smithfield, 2164
 Sydney NSW Australia
 Phone: +612 9725 9000
 Fax: +612 9725 1252

DISTRIBUTORS
 See inside front cover
 for Liquip branches
 and Distributors

www.liquip.com