

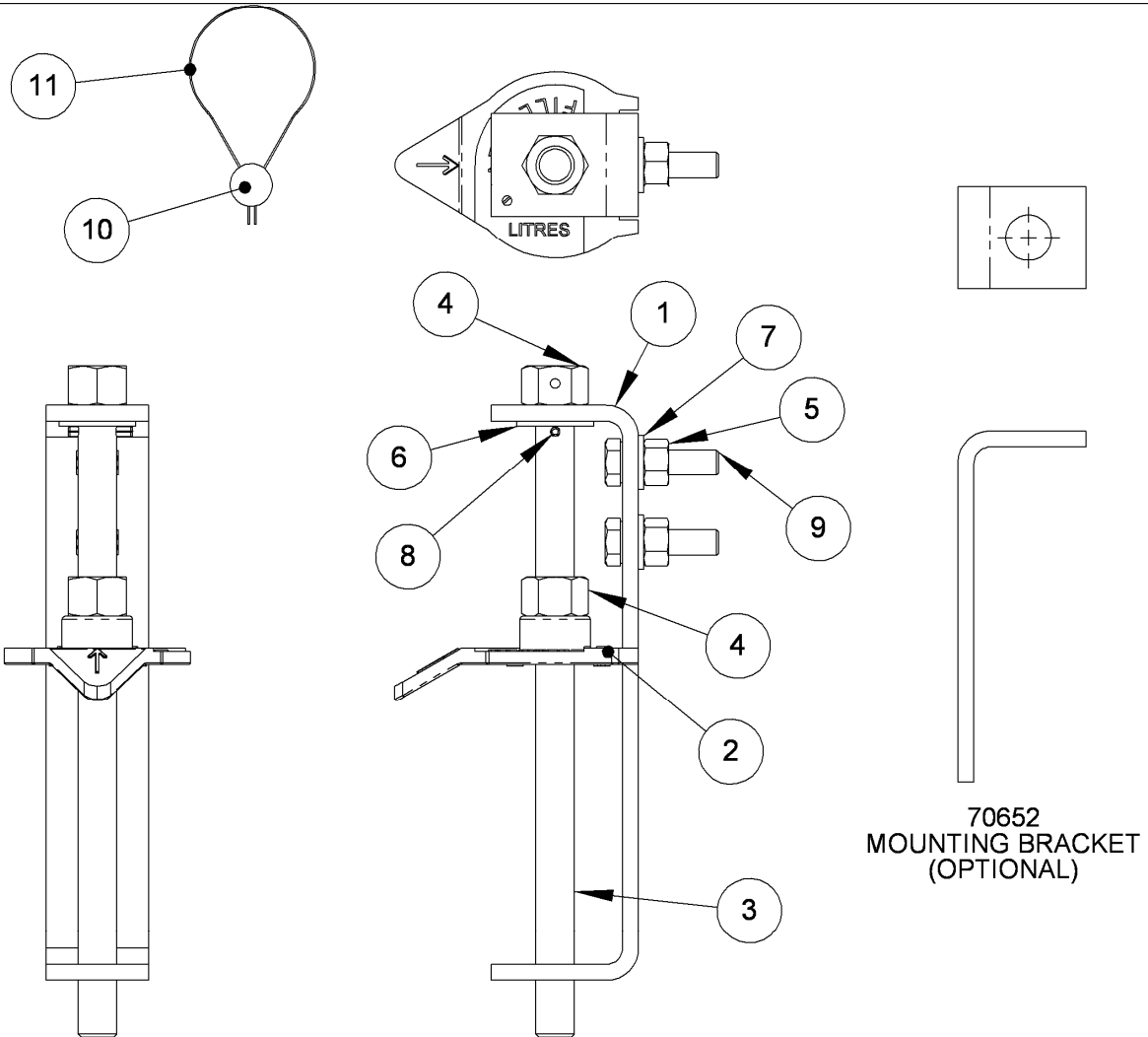


THIS IS CONFIDENTIAL INFORMATION.
 THIS DRAWING AND DESIGN IS THE PROPERTY OF LIQUIP INTERNATIONAL PTY LTD.
 IT MUST NOT BE COPIED OR REPRODUCED IN ANY WAY WHATSOEVER AND/OR PASSED ON
 TO ANY THIRD PARTY WITHOUT WRITTEN AUTHORITY.

LIQUIP INTERNATIONAL PTY LTD - ENGINEERING DEPARTMENT - 13 HUME RD SMITHFIELD SYDNEY NSW AUSTRALIA 2164
 PH: +61 2 9725 9000 FAX: +61 2 9609 4739 EMAIL: engineering@liquip-nsw.com.au

LIQUIP

UG101 ULLAGE GAUGE



ITEM NO.	PART NUMBER	DESCRIPTION	QTY	MATERIAL
1	70604	BRACKET	1	STEEL
2	UG101-1	LEVEL INDICATOR	1	ALUMINIUM
3	71321	PRECISION ALLTHREAD ROD	1	STEEL
4	4971	NUT METRIC	2	Z/P STEEL
5	6666	NUT METRIC	2	Z/P STEEL
6	5266	WASHER FLAT	1	Z/P STEEL
7	6667	WASHER FLAT	2	Z/P STEEL
8	2645	SELOX PIN	1	SPR STEEL
9	4965	SETSCREW MET	2	Z/P STEEL
10	2094	SEAL LEAD	1	LEAD
11	2190	WIRE SEALING	1	ST STEEL

70652
 MOUNTING BRACKET
 (OPTIONAL)

X1200003

Issue: A

METERS - VALVES - VENTS - MANHOLES - PUMPS - HOSEREELS - OVERFILL PROTECTION - LOADING ARMS - ELECTRONIC DIPSTICKS



LIQUIP INTERNATIONAL PTY LTD
 13 Hume Road
 Smithfield, 2164
 Sydney NSW Australia
 Phone: +612 9725 9000
 Fax: +612 9725 1252

DISTRIBUTORS
 See inside front cover
 for Liquip branches
 and Distributors

www.liquip.com