



**THIS IS CONFIDENTIAL INFORMATION.**  
**THIS DRAWING AND DESIGN IS THE PROPERTY OF LIQUIP INTERNATIONAL PTY LIMITED.**  
**IT MUST NOT BE COPIED OR REPRODUCED IN ANY WAY WHATSOEVER AND/OR PASSED ON**  
**TO ANY THIRD PARTY WITHOUT WRITTEN AUTHORITY.**

LIQUIP INTERNATIONAL PTY LIMITED - ENGINEERING DEPARTMENT - 13 HUME RD SMITHFIELD SYDNEY NSW AUSTRALIA 2164  
PH: +61 2 9725 9000 FAX: +61 2 9609 4739 EMAIL: engineering@liquip-nsw.com.au

## Vapour Coupler 75mm

DATA SHEET

PART N°: VCF075W

- TITLE:** Vapour Coupler.
- PURPOSE:** Vapour transfer between truck tank and loading/unloading tank.
- OPERATION:** The spring-loaded coupler automatically opens when coupled to a compatible adaptor.
- ADJUSTMENT OR SERVICE:** No set period. Service as required
- MATERIALS OF CONSTRUCTION:** Aluminium body and poppet  
Brass camlevers  
Stainless steel spring  
Viton poppet seal, nitrile camlock seal
- MOUNTING:** 100mm hose tail  
4" NATO standard camlock
- WEIGHT:** 2kg
- TECHNICAL DATA:** Complies with AIP CP6  
25mm poppet travel.  
Open area = 4550mm<sup>2</sup> (equal to Ø76mm hole)  
Poppet opens between 4 to 6 kPa vacuum for tank protection  
Selectivity counter-bore provided as AIP CP6
- VARIANTS:** VCF500 – 100mm bore through, 4" TTMA flange mount & viewing sightglass.

*Overall dimensions shown on the drawing overleaf.*

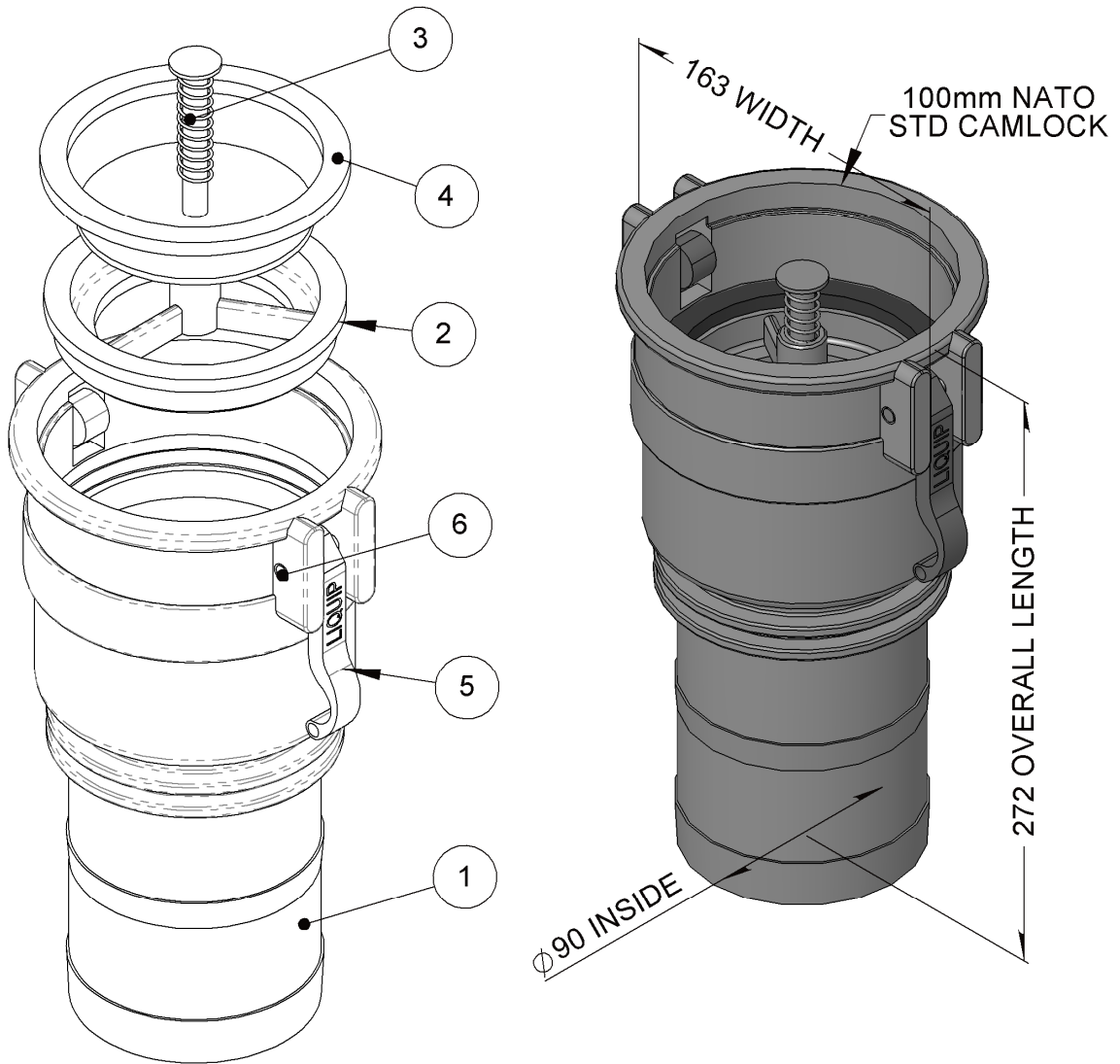


**THIS IS CONFIDENTIAL INFORMATION.**  
**THIS DRAWING AND DESIGN IS THE PROPERTY OF LIQUIP INTERNATIONAL PTY LIMITED.**  
**IT MUST NOT BE COPIED OR REPRODUCED IN ANY WAY WHATSOEVER AND/OR PASSED ON**  
**TO ANY THIRD PARTY WITHOUT WRITTEN AUTHORITY.**

LIQUIP INTERNATIONAL PTY LIMITED - ENGINEERING DEPARTMENT - 13 HUME RD SMITHFIELD SYDNEY NSW AUSTRALIA 2164  
 PH: +61 2 9725 9000 FAX: +61 2 9609 4739 EMAIL: engineering@liquip-nsw.com.au

# LIQUIP

## VCF075W Vapour Coupler Female



ITEM	PART No	DESCRIPTION	QTY.	MATERIAL
1	AL-VPB-100	BODY VAPOUR COUPLER	1	ALUMINIUM
2	AL-VPI-100	ASSEMBLY SUB POPPET SPIDER	1	ALUMINIUM
3	AL-VPV-100	ASSEMBLY SUB POPPET	1	ALUM & ST STEEL
4	0433	SEAL CAMLOCK BLACK 4 "	1	NITRILE
5	5655	LEVER CAMLOCK	2	BRASS
6	CLC3.0-3	SHORT PIN	2	BRASS

**X1250505**

Issue: B

METERS - VALVES - VENTS - MANHOLES - PUMPS - HOSEREELS - OVERFILL PROTECTION - LOADING ARMS - ELECTRONIC DIPSTICKS



LIQUIP INTERNATIONAL PTY LTD  
 P.O. Box 7049  
 Wetherill Park BC, 2164  
 Sydney NSW Australia  
 Phone: +612 9725 9000  
 Fax: +612 9725 1252

DISTRIBUTORS  
 See website for  
 Liquip branches  
 and Distributors

www.liquip.com